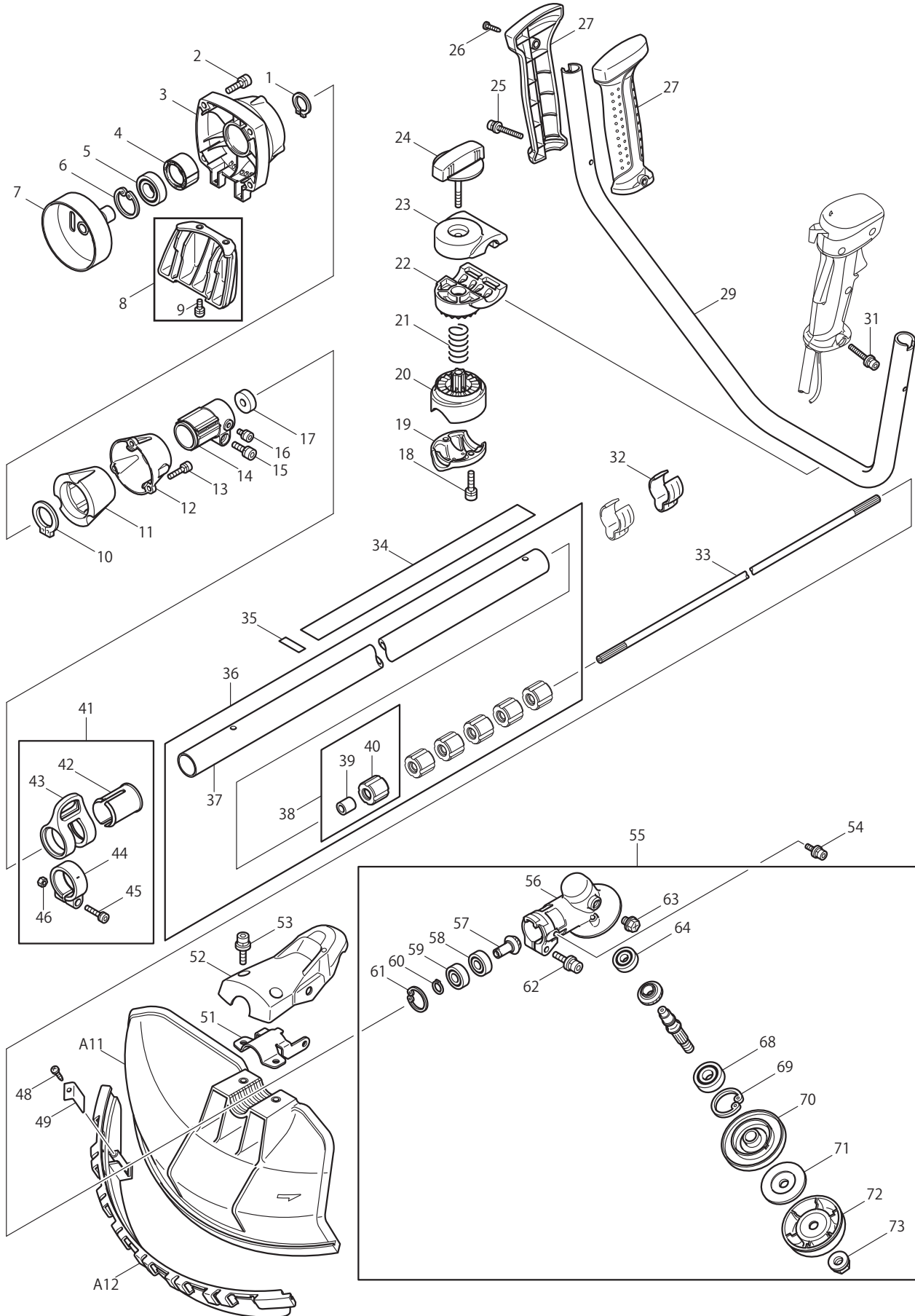


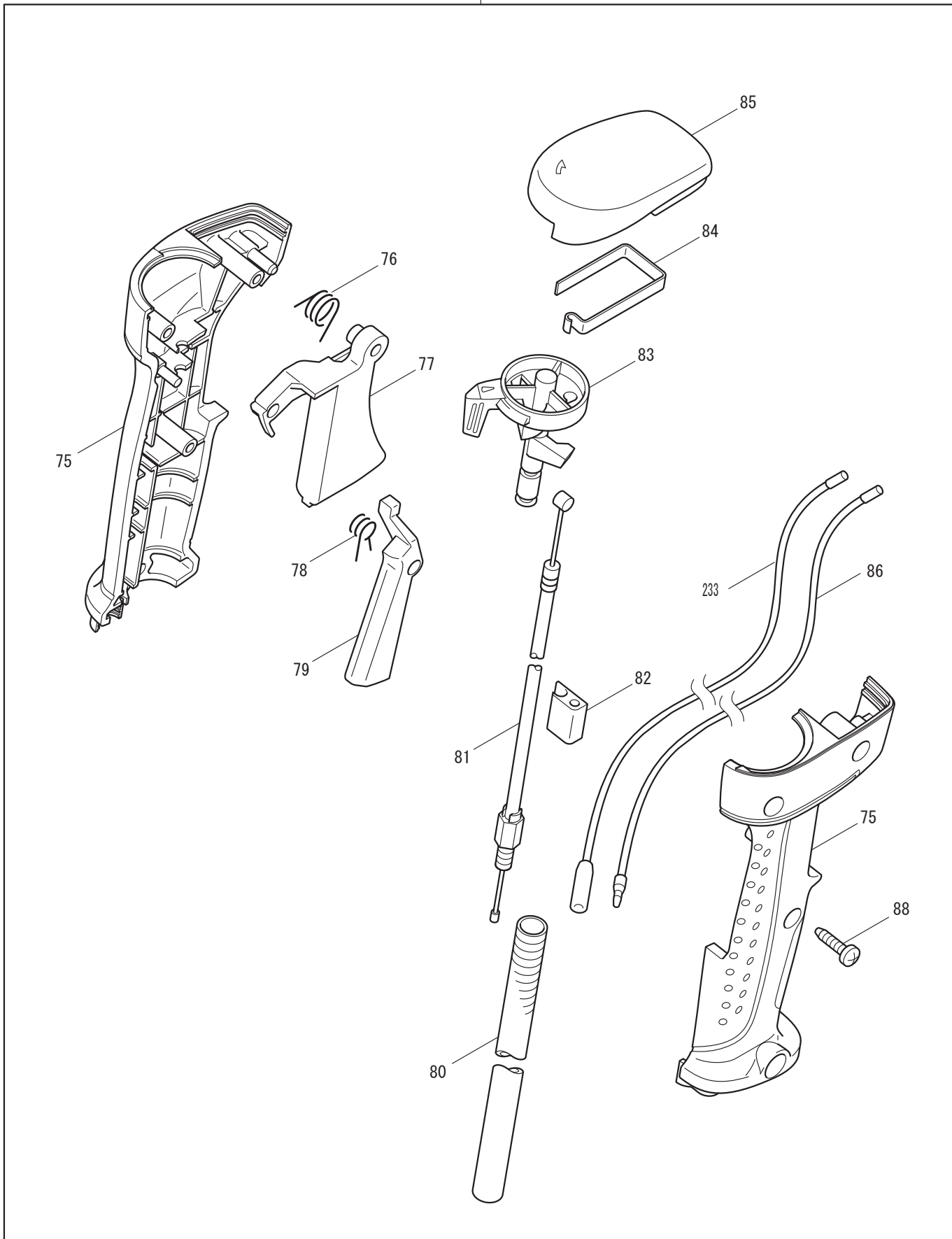


08 - 2010

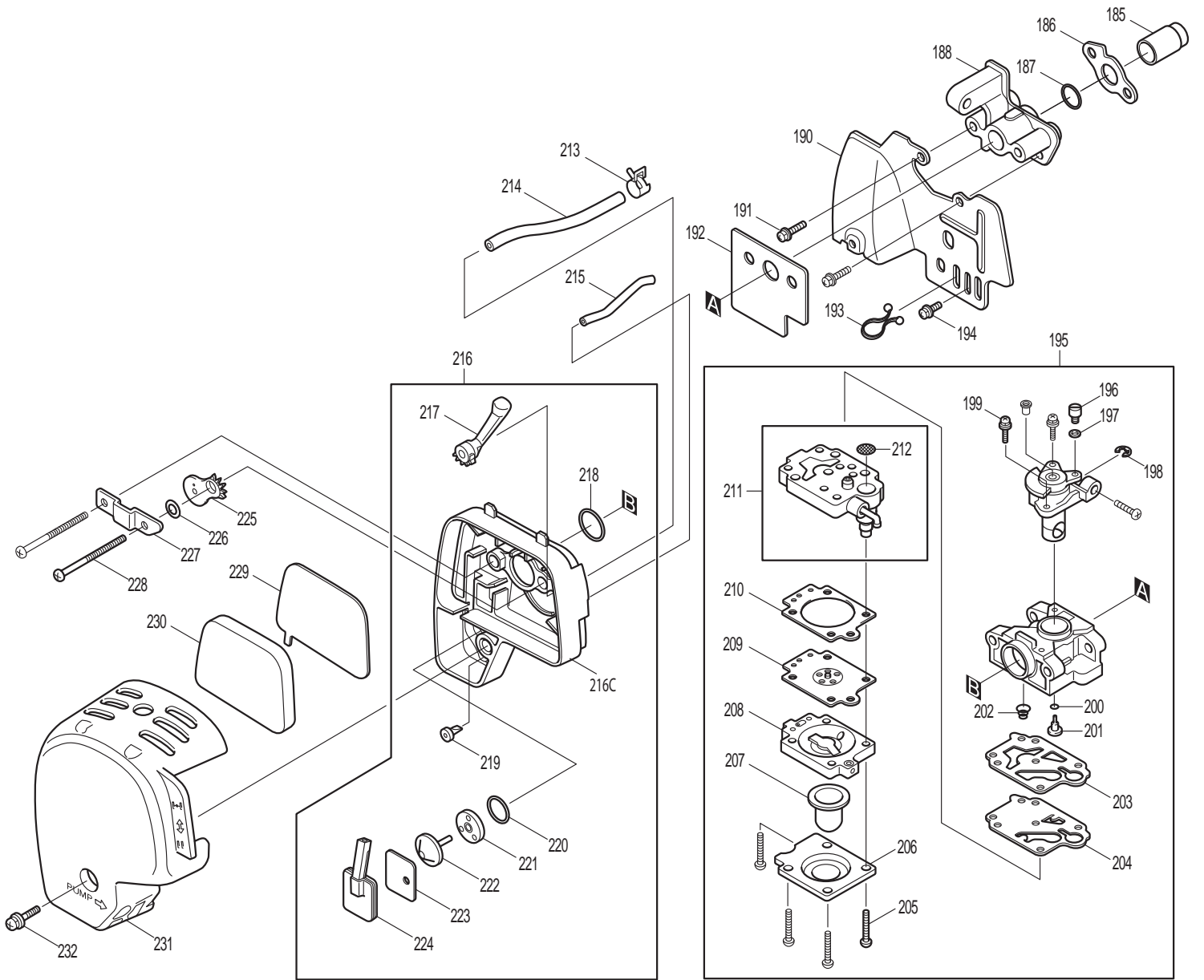
EBH341U

### 33.5CC BRUSH CUTTER /TRIMMER









Item No	Type	Ref	Part No	Description	Qty	Unit
001			961057-5	RETAINING RING S-17	1	PC.
002			922331-6	HEX. SOCKET HEAD BOLT M6X20	4	PC.
003			318421-5	CLUTCH CASE	1	PC.
004			451157-4	SPACER	1	PC.
005	1		211338-0	BALL BEARINNG 6003LLU	1	PC.
	2		210126-2	BALL BEARINNG 6003LLU	1	PC.
006			962153-2	RETAINING RING R-35	1	PC.
007			165577-3	CLUTCH DRUM	1	PC.
008			195144-0	STAND SET	1	PC.
		INC.		Item No. 9		
009			911218-7	PAN HEAD SCREW M5X14 W/WASHER & SPRING WASHER	2	PC.
010			961151-3	RETAINING RING S-32	1	PC.
011			424204-4	DAMPER	1	PC.
012			318453-2	PIPE RETAINER	1	PC.
013			922231-0	HEX. SOCKET HEAD BOLT M5X20	3	PC.
014			318454-0	PIPE BRACKET	1	PC.
015			922331-6	HEX. SOCKET HEAD BOLT M6X20	1	PC.
016			922201-9	HEX. SOCKET HEAD BOLT M5X8	1	PC.
017			443146-3	FELT RING 8	1	PC.
018			922341-3	HEX. SOCKET HEAD BOLT M6X25	2	PC.
019			318422-3	PIPE CLAMP	1	PC.
020			318423-1	PIPE HOLDER	1	PC.
021			233202-5	COMPRESSION SPRING 20	1	PC.
022			318424-9	HANDLE HOLDER	1	PC.
023			318425-7	HANDLE CLAMP	1	PC.
024	2		168796-0	KNOB 57	1	PC.
025			922256-4	HEX. SOCKET HEAD BOLT M5X35	1	PC.
026			266326-2	TAPPING SCREW 4X18	1	PC.
027			188660-9	GRIP SET	1	SET
029			331863-6	HANDLE 22	1	PC.
031			922256-4	HEX. SOCKET HEAD BOLT M5X35	1	PC.
032			451525-1	WIRE CLAMP	2	PC.
033			325675-7	SHAFT	1	PC.
034			810512-3	CAUTION LABEL	1	PC.
035	2		814A82-0	DATE CODE LABEL	1	PC.
	3		814E64-6	SERIAL NO. LABEL	1	PC.
036			140042-3	SHAFT PIPE COMPLETE	1	PC.
041			125558-9	HANGER ASSEMBLY	1	PC.
		INC.		Item No. 45		
045	2		922232-8	HEX SOCKET HEAD BOLT M5X20	1	PC.
048			266326-2	TAPPING SCREW 4X18	1	PC.
049			346074-0	CUTTER	1	PC.
051			346072-4	PROTECTOR CLAMP	1	PC.
052			451090-0	PROTECTOR COVER	1	PC.
053			266579-3	HEX SOCKET HEAD BOLT M6X30 (OLD# 922353-6)	2	PC.
054			922218-2	H.S.H.BOLT M5X14 WITH WR	2	PC.
055	4		123835-3	GEAR CASE ASSEMBLY	1	PC.
		INC.		Item No. 57-64, 68-73		
057	1		188865-1	CUTTER SHAFT SET	1	PC.
	3		183K07-8	CUTTER SHAFT SET	1	PC.
058	2		210161-0	BALL BEARING 6000	1	PC.
059	2		210160-2	BALL BEARING 6000ZZ	1	PC.

Item No	Type	Ref	Part No	Description	Qty	Unit
060	2		257408-1	RETAINING RING S-10	1	PC.
061	2		257988-7	RETAINING RING R-26	1	PC.
062			922353-6	HEX.SOCKET HEAD BOLT M6X30	1	PC.
063			265590-2	+HEX.BOLT M8X10 WITH R	1	PC.
064	2		210159-7	BALL BEARING 629ZZ	1	PC.
068			210116-5	BALL BEARING 6201LLU	1	PC.
069	2		257409-9	RETAINING RING R-32	1	PC.
070	3		326823-1	RECEIVE WASHER	1	PC.
071	2		346355-2	CLAMP WASHER	1	PC.
072			168526-9	CUP	1	PC.
073			264025-0	* HEX. NUT M10-17	1	PC.
074			125545-8	CONTROL LEVER ASSEMBLY	1	PC.
		INC.		Item No. 75-88, 233		
075	1		188657-8	* LEVER CASE SET	1	SET
	2		183A09-4	* LEVER CASE SET	1	SET
076			233540-5	TORSION SPRING 11	1	PC.
077			451084-5	THROTTLE LEVER	1	PC.
078			233541-3	TORSION SPRING 7	1	PC.
079			451083-7	LOCK OFF LEVER	1	PC.
080			451213-0	CORRUGATE TUBE	1	PC.
081			168539-0	CONTROL CABLE	1	PC.
082			451081-1	CABLE HOLDER	1	PC.
083			451082-9	SWITCH LEVER	1	PC.
084			232251-9	LEAF SPRING	1	PC.
085	1		451085-3	* SWITCH COVER	1	PC.
	2		455722-1	* SWITCH COVER	1	PC.
086			638663-8	LEAD UNIT	1	PC.
088			266326-2	TAPPING SCREW 4X18	3	PC.
089			318614-4	BLOWER HOUSING	1	PC.
090			922223-9	H.S.H.BOLT M5X16 WITH WR	4	PC.
093	2		253762-1	FLAT WASHER 8	2	PC.
094			267832-0	WAVE WASHER 10	2	PC.
095			266571-9	SHOULDER HEX. BOLT M8X23	2	PC.
096	2		125757-3	* CLUTCH ASSEMBLY	1	PC.
		INC.	AN04002000	* CLUTCH SHOE (N/A individually)	2	PC.
		INC.		* Item No. 97 Typ2 or 3	2	PC.
097	3		AN02010C00	* TENSION SPRING 9	1	PC.
098			265577-4	HEX HEAD BOLT M6X16	1	PC.
099	1		318611-0	FLYWHEEL	1	PC.
	2		319035-3	FLYWHEEL	1	PC.
100	1		168501-5	* IGNITION COIL	1	PC.
	2		168816-0	* IGNITION COIL	1	PC.
101			922138-0	H.S.H.BOLT M4X20 WITH WR	2	PC.
102			324891-8	PLUG CAP SPRING	1	PC.
103			424105-6	PLUG CAP	1	PC.
104	1		638664-6	* LEAD UNIT	1	PC.
	2		632E38-3	* LEAD UNIT	1	PC.
105	1		638665-4	* LEAD UNIT	1	PC.
	2		632E39-1	* LEAD UNIT	1	PC.
106			424313-9	GROMMET	1	PC.
107			345963-6	CLAMP	1	PC.
108			819312-8	MAKITA LOGO LABEL	1	PC.

Item No	Type	Ref	Part No	Description	Qty	Unit
109			451876-2	PLUG COVER	1	PC.
110			266572-7	+ TRUSS HEAD SCREW M5X8	1	PC.
111			808633-3	4STROKE INDICATION LABEL (N/L/A as individual part)	1	PC.
112			911213-7	PAN HEAD SCREW M5X12	3	PC.
113			451875-4	CYLINDER COVER	1	PC.
114			266440-4	HEX SOCKET HEAD BOLT M5X40	2	PC.
115			265184-3	+TRUSS HEAD SCREW M5X5	1	PC.
116			345915-7	MUFFLER COVER	1	PC.
117			168469-5	EXHAUST MUFFLER	1	PC.
118			345916-5	MUFFLER GASKET	1	PC.
119			324980-9	SPARK ARRESTOR	1	PC.
120			922217-4	HEX. SOCKET HEAD BOLT M5X14	4	PC.
121			140419-2	ROCKER COVER COMPLETE	1	PC.
122			162307-3	ROCKER COVER GASKET	1	PC.
124			162274-2	CAM GEAR COVER GASKET	1	PC.
125			318443-5	CAM GEAR COVER	1	PC.
126			922212-4	HEX. SOCKET HEAD BOLT M5X12	3	PC.
127			450565-6	OIL GAUGE	1	PC.
128			424100-6	GASKET	1	PC.
129			282020-8	HOSE CLAMP	1	PC.
130			424202-8	OIL TUBE	1	PC.
131			325666-8	OIL WEIGHT	1	PC.
132			162308-1	CASE GASKET	1	PC.
133			318612-8	OIL CASE	1	PC.
134			922217-4	HEX. SOCKET HEAD BOLT M5X14	4	PC.
135			266573-5	HEX. SOCKET HEAD BOLT M5X33	4	PC.
136	2		922222-1	HEX. SOCKET HEAD BOLT M5X16	4	PC.
137	2		922112-8	HEX. SOCKET HEAD BOLT M4X10	1	PC.
138			318440-1	RETAINER PLATE	1	PC.
139			346083-9	LEAD VALVE	1	PC.
140			424201-0	CHECK VALVE	2	PC.
141			135373-3	CYLINDER BLOCK ASSEMBLY	1	PC.
		INC.		Item No. 135,136,140,147	1	PC.
142			125554-7	ROCKER ARM ASSEMBLY	2	PC.
143			325912-9	SPRING RETAINER	2	PC.
144	2		234181-0	COMPRESSION SPRING 11	2	PC.
145			256200-2	PIN 5	1	PC.
146			256866-8	ROD 2.5	2	PC.
147			424200-2	SPACER	2	PC.
148			268239-3	PIN 4	1	PC.
149			313169-4	CAM LIFTER	2	PC.
150			325913-7	EXHAUST VALVE	1	PC.
151			325914-5	INTAKE VALVE	1	PC.
152			125552-1	CAM GEAR ASSEMBLY	1	PC.
153			268238-5	PIN 5	1	PC.
154			195141-6	PISTON RING SET	1	SET
155	2		197454-1	PISTON SET	1	PC.
		INC.	318613-6	PISTON	1	PC.
		INC.		Item No. 154, 157		
156			257796-6	PISTON PIN	1	PC.
157			233983-1	CLIP	2	PC.
158			254040-2	WOODRUFF KEY 3	1	PC.

Item No	Type	Ref	Part No	Description	Qty	Unit
159			213537-0	OIL SEAL 12	1	PC.
160			267425-3	FLAT WASHER 26	1	PC.
161			125756-5	* CRANKSHAFT ASSEMBLY	1	PC.
162	2		213769-9	OIL SEAL 10	1	PC.
163			125472-9	FUEL TANK CAP ASSEMBLY	1	PC.
		INC.		Item No. 164, 165		
164			140435-4	FUEL TANK CAP	1	PC.
165			140436-2	STRAP COMPLETE	1	PC.
166			810455-9	CAUTION PLATE	1	PC.
167			424104-8	DAMPER	1	PC.
168	1		451978-4	FUEL TANK (For machine produced in or before 2011)	1	PC.
	2		454005-6	FUEL TANK (For machine produced in or after 2012)	1	PC.
	3		123420-2	FUEL TANK ASSEMBLY	1	PC.
		INC.		Item No. 163,169,170,173		
169	2		163447-0	FUEL FILTER	1	PC.
170			345920-4	HOSE CLAMP	1	PC.
171			424103-0	PLATE	1	PC.
172			424102-2	PLATE	1	PC.
173	2		168771-6	TUBE COM	1	PC.
174	2		126475-6	RECOIL STARTER ASSEMBLY	1	PC.
		INC.		Item No. 175-180		
175	2		168827-5	PULLEY	1	PC.
176			266580-8	TAPPING SCREW 5X10	1	PC.
177			451923-9	REEL	1	PC.
178			232257-7	SPIRAL SPRING	1	PC.
179			424317-1	STARTER KNOB	1	PC.
181			911218-7	PAN HEAD SCREW M5X14 W/WASHER & SPRING WASHER	4	PC.
182			816448-4	EBH341U MODEL NO. LABEL	1	PC.
183			162310-4	TANK GUARD	1	PC.
184	2		266809-2	PAN HEAD SCREW M5X14 W/WASHER & SPRING WASHER	4	PC.
185			325915-3	INTAKE PIPE	1	PC.
186			413120-5	INSULATOR GASKET	1	PC.
187	2		213063-9	O-RING 10	1	PC.
188			451874-6	INSULATOR	1	PC.
190			346261-1	CARBURETOR INSULATOR	1	PC.
191			922228-9	H.S.H.BOLT M5X18 WITH WR	2	PC.
192			413138-6	CARBURETOR GASKET	1	PC.
193			450562-2	CLAMP	1	PC.
194			922213-2	H.S.H.BOLT M5X12 WITH WR	1	PC.
195			168561-7	CARBURETOR	1	PC.
		INC.		Item No.196-211		
196			325922-6	SWIVEL	1	PC.
197			413140-9	WASHER	1	PC.
198			257964-1	STOP RING E-3	1	PC.
199	1		266581-6	PAN HEAD SCREW M3X8 WITH W	2	PC.
	2		WJ00096364	SCREW M3X8 WITH WASHER	2	PC.
200			213538-8	O RING 2	1	PC.
201	1		325921-8	JET	1	PC.
	2		592-60070-11	JET #36.5	1	PC.
202			234183-6	CONICAL COMPRESSION SPRING 5-9	1	PC.
203			442155-9	PUMP GASKET	1	PC.
204	2		WJ00009599	PUMP DIAPHRAGM	1	PC.



Item No	Type	Ref	Part No	Description	Qty	Unit
205			266582-4	TAPPING SCREW 3X24	4	PC.
206			346270-0	PRIMER PUMP COVER	1	PC.
207			424314-7	PRIMER PUMP	1	PC.
208			140438-8	AIR PURGE BODY	1	PC.
209	4		168620-7	METERING DIAPHRAGM	1	PC.
210			442154-1	METERING DIAPHRAGM GASKET	1	PC.
211			140437-0	PUMP BODY	1	PC.
		INC.		Item No. 212		
212	2		WJ00014070	INLET SCREEN	1	PC.
213			345918-1	HOSE CLAMP	1	PC.
214			422055-9	BREATHHER PIPE	1	PC.
215			422042-8	PIPE	1	PC.
216			125468-0	CLEANER PLATE ASSEMBLY	1	PC.
		INC.		Item No. 217-224, 216C		
216C			140814-6	AIR CLEANER PLATE COMPLETE (Added)	1	PC.
217			451925-5	CHOKE LEVER	1	PC.
218			213540-1	O RING 15	1	PC.
219			424316-3	CHECK VALVE	1	PC.
220			213539-6	O RING 14	1	PC.
221			451924-7	CHECK VALVE PLATE	1	PC.
222			424315-5	CHECK VALVE	1	PC.
223			168577-2	SEPARATOR GASKET	1	PC.
224			168576-4	SEPARATOR PLATE	1	PC.
225			450560-6	CHOKE PLATE	1	PC.
226			423376-2	GASKET	1	PC.
227			345919-9	PLATE	1	PC.
228			265188-5	+PAN HEAD SCREW M5X68	2	PC.
229			443140-5	AIR CLEANER ELEMENT	1	PC.
230			443141-3	AIR CLEANER ELEMENT	1	PC.
231			450561-4	AIR CLEANER COVER	1	PC.
232			911218-7	PAN HEAD SCREW M5X14 W/WASHER & SPRING WASHER	1	PC.
233			638671-9	LEAD UNIT	1	PC.
234			413143-3	WASHER (F/ Item No. 53)	2	PC.
235			922353-6	HSH BOLT M6X30	1	PC.
500			870013-3	CARTON	1	PC.
501			808143-0	INDICATION LABEL(ATTACHED TO SHAFT PIPE COM)	1	PC.
502			819432-8	CAUTION TAG (10 LANGUAGES)	1	PC.
E03			816514-7	GAS EMISSION APPROVAL LABEL (N/L/A for Repair)	1	PC.

### **ACCESSORIES**

- See Catalogue or visit [www.makita.ca](http://www.makita.ca) for more accessories information -

A01			122906-3	BAND ASSY	1	PC.
		INC.	140400-3	HOOK COMPLETE	1	PC.
A04			783013-3	BOX DRIVER 16-17	1	PC.
A05	3		783217-7	HEX. WRENCH 5	1	PC.
A06	2		783202-0	HEX. WRENCH 4 (OLD# 783223-2)	1	PC.
A07			831304-7	ACCESSORY BAG	1	PC.
A08	1		450573-7	BLADE GUARD ( = 6418500701)	2	PC.
	2		456924-2	CUTTER COVER	1	PC.
A09			B-05131	BUMP&FEED HEAD ASSY 5" LH (Parts Breakdown available)	1	PC.
		INC.	A-89165	HOUSING	1	PC.
		INC.	A-89361	NUT M10X1.25 LH	1	PC.
		INC.	A-89187	SPRING	1	PC.

Item No	Type	Ref	Part No	Description	Qty	Unit
		INC.	A-89193	NYLON LINE,DIA 2.4MMX3M	1	PC.
		INC.	A-89202	SPOOL	1	PC.
		INC.	A-15992	EYELET FOR U.AUTO & BF4L, 2PC/SET	1	SET
		INC.	A-89218	COVER	1	PC.
A10			B-14124	10" BRUSHCUTTER 4T STAR BLADE 1"	1	PC.
			B-05125	ULTRA AUTO 4XL HEAD ASSY LH (Parts Breakdown available)	1	PC.
A11			---	ENGINE OIL	1	PC.
A12			135398-7	PROTECTOR EXTENSION ASSY	1	PC.
		INC.		Item No. 48, 49		
A13			452259-9	PROTECTOR	1	PC.
A14			444018-5	STARTER ROPE	1	PC.
A15			168534-0	SPARK PLUG (CMR4A)	1	PC.
A16			197678-9	ENGINE MAINTENANCE KIT F/EH025, EH035	1	PC.
		INC.		Item No.169, 229, 230, A13		
A17			196129-9	BAND ASSY COMFORT	1	PC.

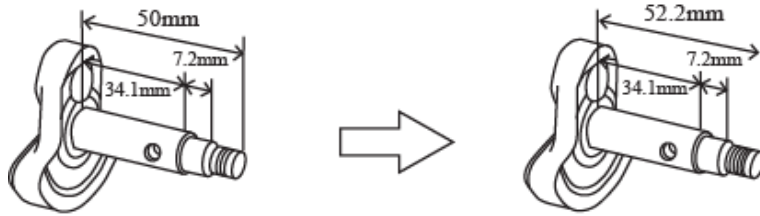
**SERVICE CHANGE**

1. Change On Crank Shaft (TI#Y06245)

ITEM NO.	DESCRIPTION	TYPE 1	TYPE 2
161	Crank Shaft Assembly		125756-5

TYPE 1

TYPE 2



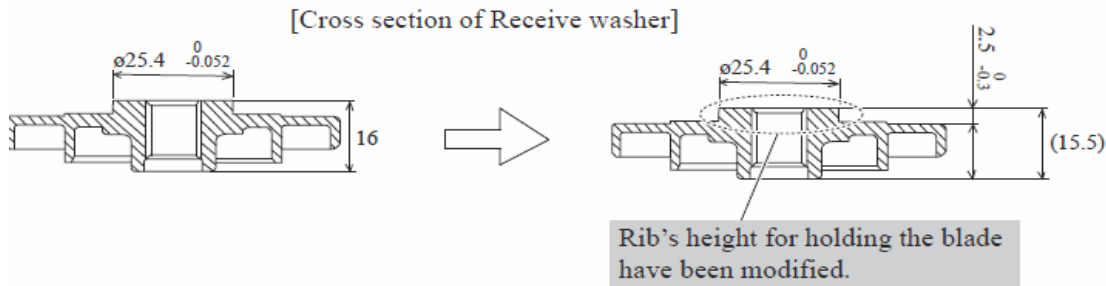
2. Change On Receive Washer

(TI#A2521)

ITEM NO.	DESCRIPTION	TYPE 1	TYPE 2
73	Receive Washer	331860-2	332114-0

TYPE 1

TYPE 2



3. Changes on Gear Case Assembly

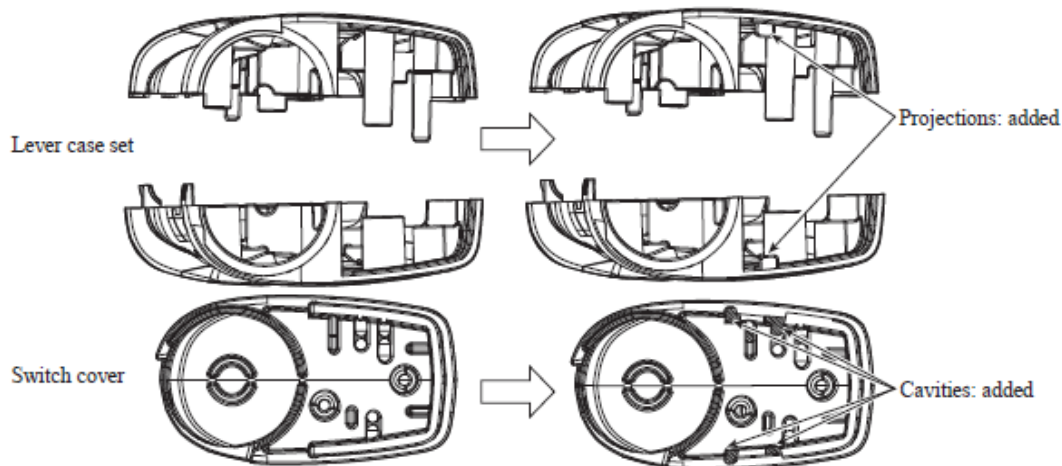
(T/I# A5657)

Item No.	Description	Type 1	Type 2
75	Lever Case Set	188657-8	183A09-4
85	Switch Cover	451085-3	455722-1

Above parts are completely interchangeable as a set.

TYPE 1

TYPE 2



4. Changes on Clutch shoe and Tension spring 9, Addition of Clutch assembly

(T/I# A3643)

(T/I# Y07092)

Item No.	Description	Type 1	Type 2	Type 3
96	Clutch Assembly	-----	125757-3**	
	Clutch shoe	168563-3	AN04002000 (N/A)	
97	Tension Spring 9	231863-5	AN02010000 (N/A)	AN02010C00

Above parts are completely interchangeable as a set.

\*\*125757-3 Assembly includes Clutch Shoe and Tension Spring 9

5. Changes on Ignition Coil, Flywheel, Lead Unit

(T/I# B1355)

Item No.	Description	Type 1	Type 2
100	Ignition Coil	168501-5	168816-0
104	Lead Unit	638664-6	632E38-3
105	Lead Unit	638665-4	632E39-1

Above parts are completely interchangeable as a set.